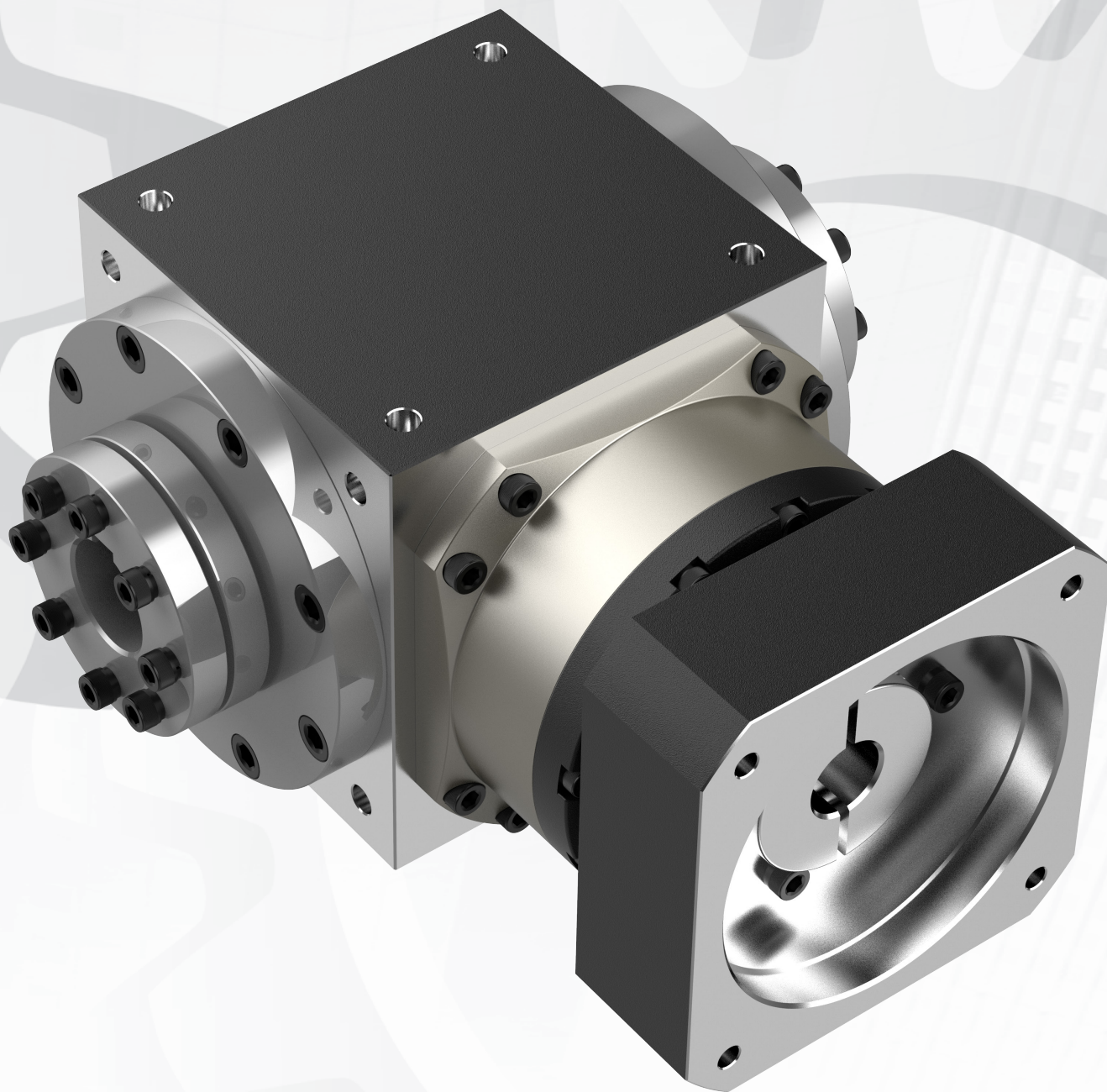


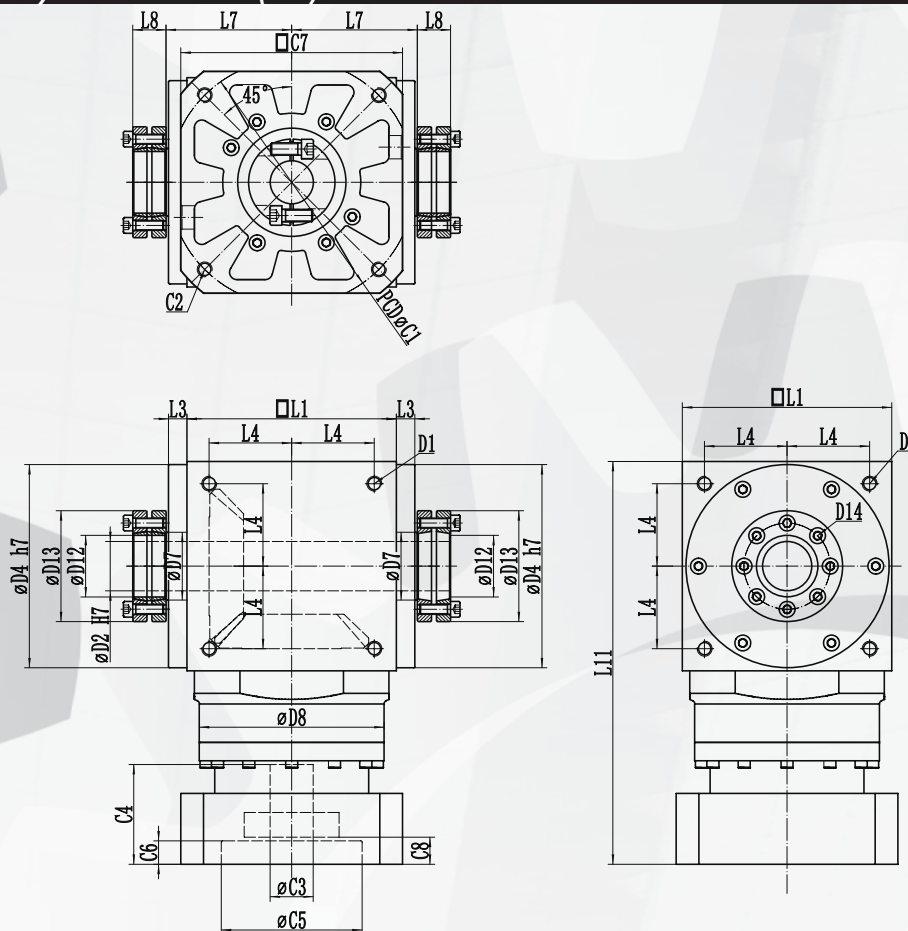
DATC *Угловой конический редуктор*



DATC Угловой конический редуктор

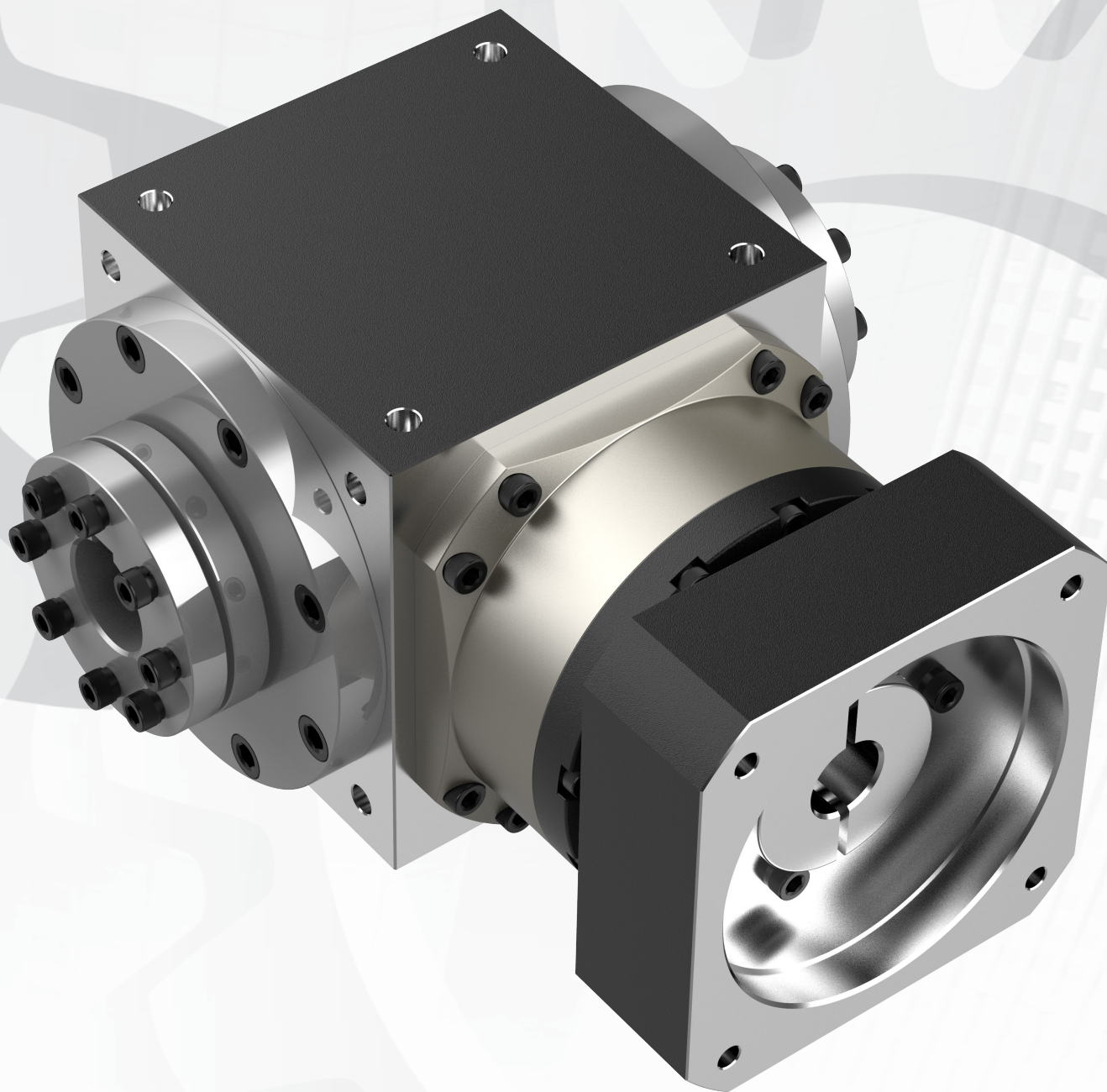


Размеры: 2-ступенчатый (L2)



| Размер | DATC065 | DATC090 | DATC110 | DATC140 | DATC170 | DATC210 |
|--------|---------|-------------|----------|-------------|---------|-------------|
| D1 | M5↓10 | M6↓12 | M8↓16 | M10↓20 | M12↓25 | M16↓32 |
| D2 H7 | 13 | 18 | 22 | 32 | 40 | 50 |
| D4 h7 | 63 | 88 | 108 | 135 | 165 | 205 |
| D7 | 19.9 | 29.9 | 39.9 | 44.9 | 54.9 | 74.9 |
| D8 | 64 | 64 | 94 | 125 | 150 | 170 |
| D12 | 16 | 22 | 27 | 44 | 50 | 62 |
| D13 | 41 | 50 | 53 | 80 | 90 | 110 |
| D14 | 6M-6 | 6M-6 | 7M-6 | 7M-6 | 8M-8 | 8M-8 |
| L1 | 65 | 90 | 110 | 140 | 170 | 210 |
| L3 | 13 | 15 | 15 | 15 | 15 | 20 |
| L4 | 27 | 36 | 44 | 55 | 67 | 85 |
| L7 | 47.5 | 62 | 72 | 87 | 102 | 127 |
| L8 | 18 | 20 | 20 | 25 | 27 | 30 |
| L11 | 129/142 | 155.8/168.8 | 197/215 | 255.5/277.5 | 327/360 | 405.3/408.3 |
| C1 | 70/90 | 70/90 | 90/145 | 145/200 | 200 | 200/235 |
| C2 | M4/M5 | M4/M5 | M5/M8 | M8/M12 | M12 | M12 |
| C3 | ≤14/≤19 | ≤14/≤19 | ≤19/≤24 | ≤24/≤35 | ≤35/≤42 | ≤42/≤35 |
| C4 | 31.5/41 | 31.5/41 | 41/60 | 60/81 | 81/114 | 114/117 |
| C5 | 50/70 | 50/70 | 70/110 | 110/114.3 | 114.3 | 114.3/200 |
| C6 | 5/6 | 5/6 | 6/14 | 14/19 | 19/15 | 24 |
| C7 | 60/80 | 60/80 | 80/130 | 130/180 | 180 | 180/220 |
| C8 | 6/9 | 6/9 | 9.5/19.5 | 19.5/22 | 22/55 | 30/33 |

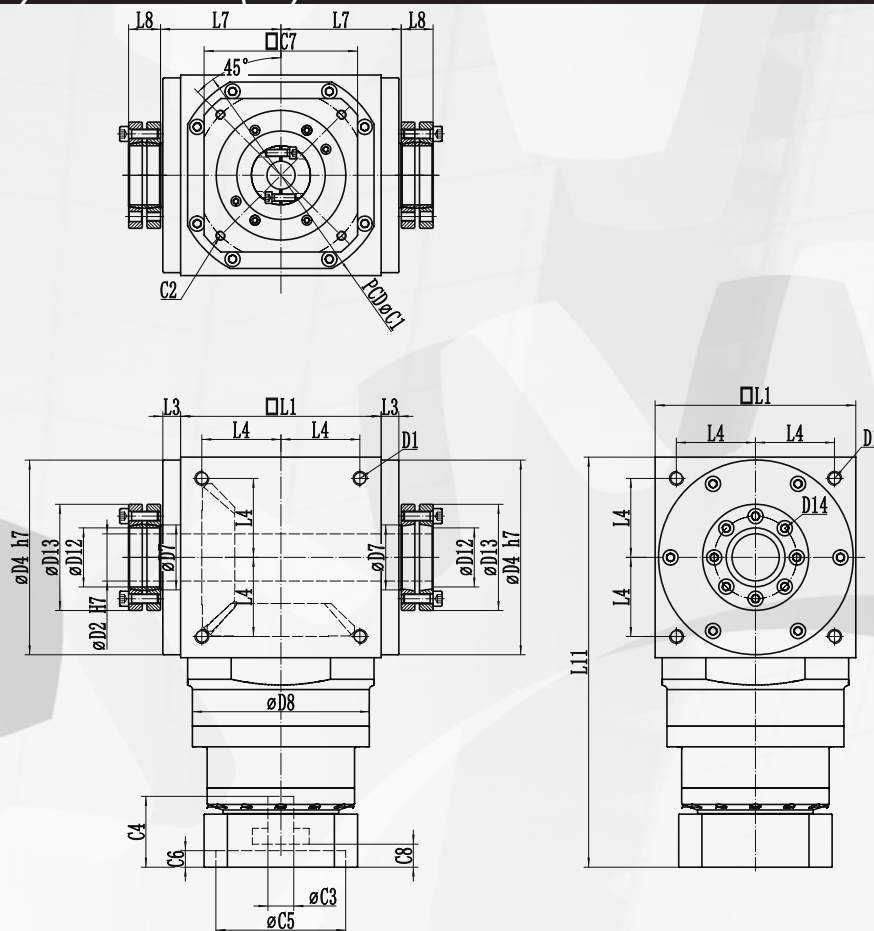
DATC Угловой конический редуктор



DATC Угловой конический редуктор



Размеры: 3-ступенчатый (L3)



| Размер | DATC065 | DATC090 | DATC110 | DATC140 | DATC170 | DATC210 |
|--------|---------|-------------|-------------|-----------|-----------|---------|
| D1 | M5↓10 | M6↓12 | M8↓16 | M10↓20 | M12↓25 | M16↓32 |
| D2 H7 | 13 | 18 | 22 | 32 | 40 | 50 |
| D4 h7 | 63 | 88 | 108 | 135 | 165 | 205 |
| D7 | 19.9 | 29.9 | 39.9 | 44.9 | 54.9 | 74.9 |
| D8 | 64 | 64 | 94 | 125 | 150 | 170 |
| D12 | 16 | 22 | 27 | 44 | 50 | 62 |
| D13 | 41 | 50 | 53 | 80 | 90 | 110 |
| D14 | 6M-6 | 6M-6 | 7M-6 | 7M-6 | 8M-8 | 8M-8 |
| L1 | 65 | 90 | 110 | 140 | 170 | 210 |
| L3 | 13 | 15 | 15 | 15 | 15 | 20 |
| L4 | 27 | 36 | 44 | 55 | 67 | 85 |
| L7 | 47.5 | 62 | 72 | 87 | 102 | 127 |
| L8 | 18 | 20 | 20 | 25 | 27 | 30 |
| L11 | 161/174 | 187.8/200.8 | 216.5/234.5 | 270/300.5 | 347.5/388 | 438/471 |
| C1 | 70/90 | 70/90 | 70/90 | 90/145 | 145/200 | 200 |
| C2 | M4/M5 | M4/M5 | M4/M5 | M5/M8 | M8/M12 | M12 |
| C3 | ≤14/≤19 | ≤14/≤19 | ≤14/≤19 | ≤19/≤24 | ≤24/≤35 | ≤35/≤42 |
| C4 | 31.5/41 | 31.5/41 | 31.5/41 | 41/60 | 60/81 | 81/114 |
| C5 | 50/70 | 50/70 | 50/70 | 70/110 | 110/114.3 | 114.3 |
| C6 | 5/6 | 5/6 | 5/6 | 6/14 | 14/19 | 19/15 |
| C7 | 60/80 | 60/80 | 60/80 | 80/130 | 130/180 | 180 |
| C8 | 6/9 | 6/9 | 6/9.5 | 9.5/19.5 | 19.5/22 | 22/55 |



ПРИВОДНАЯTM
ТЕХНИКА



ПРИВОДНАЯTM
ТЕХНИКА

www.privod.ru

*ООО «НТЦ Приводная Техника»
Волгоградский проспект, д.42, корп.5
109316 Москва
Тел. +7 (495) 786-21-00
Email: info@privod.ru*